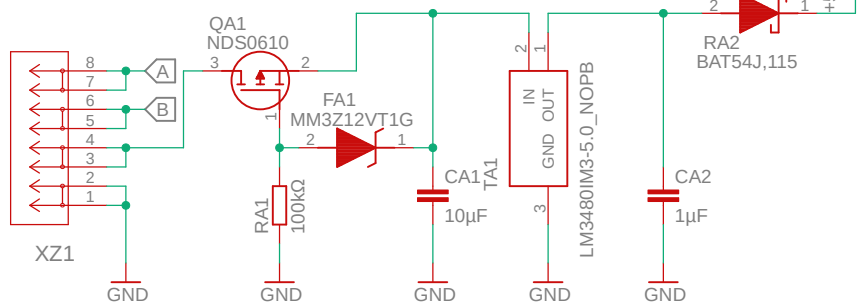
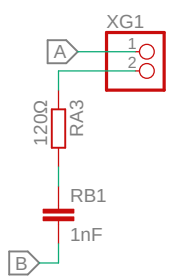


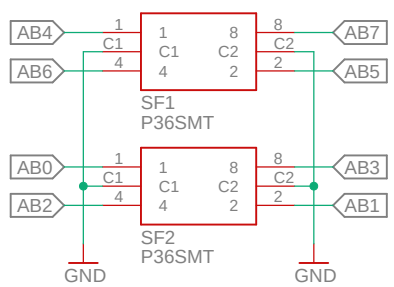
Power and RS485 interface



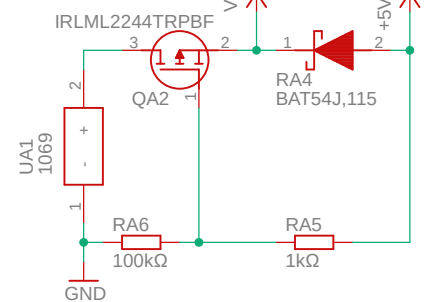
Termination resistor



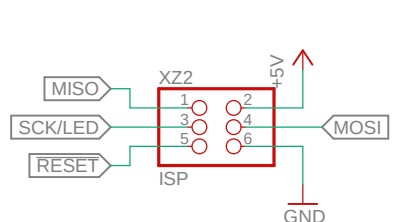
Modbus address



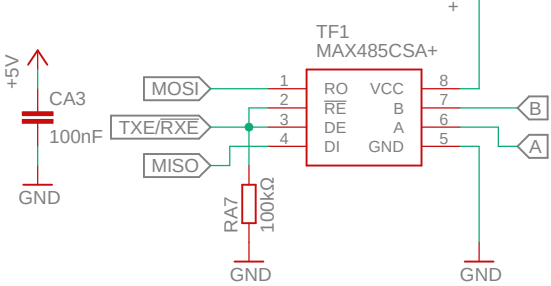
Power loss protection



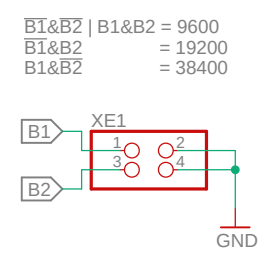
ISP header



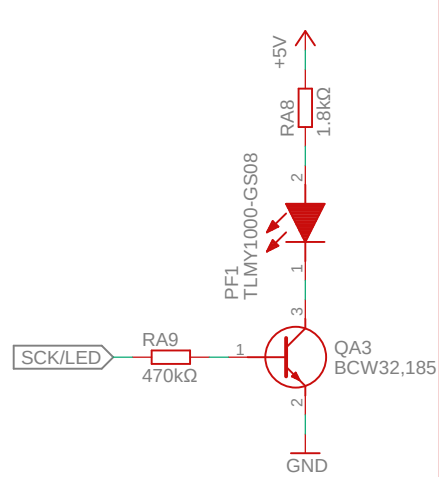
TTL-RS485



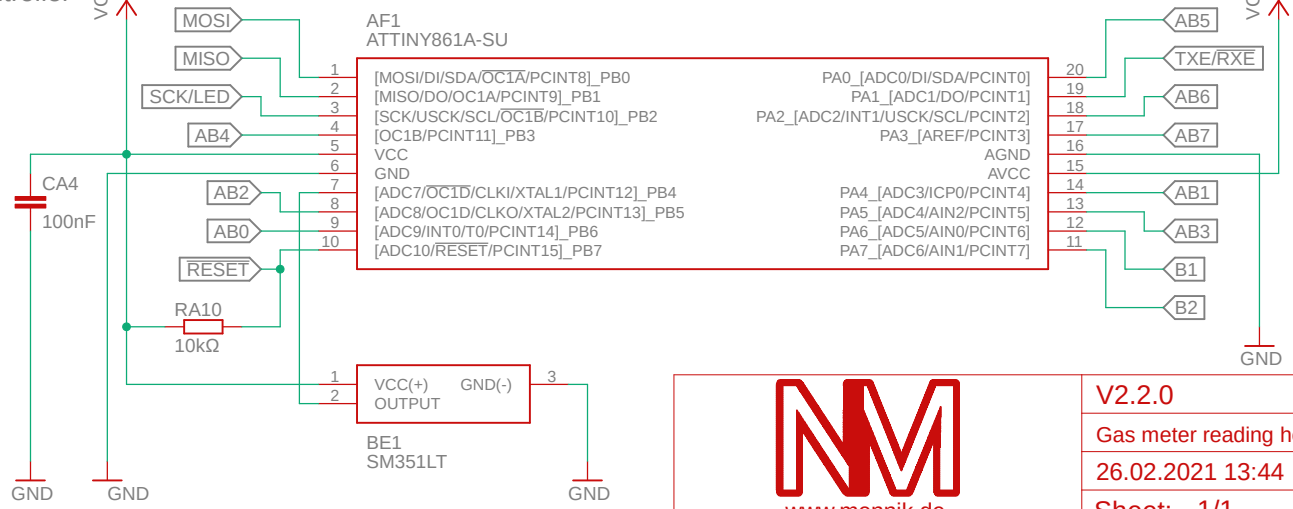
Baud rate



Status LED



Controller



V2.2.0
Gas meter reading head V220
26.02.2021 13:44
Sheet: 1/1