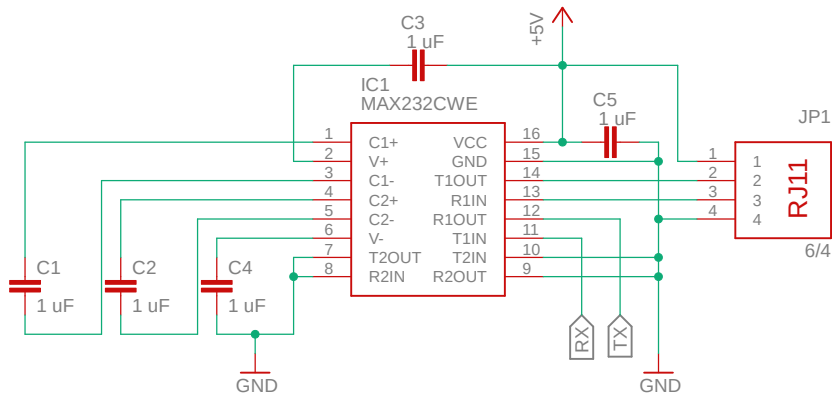
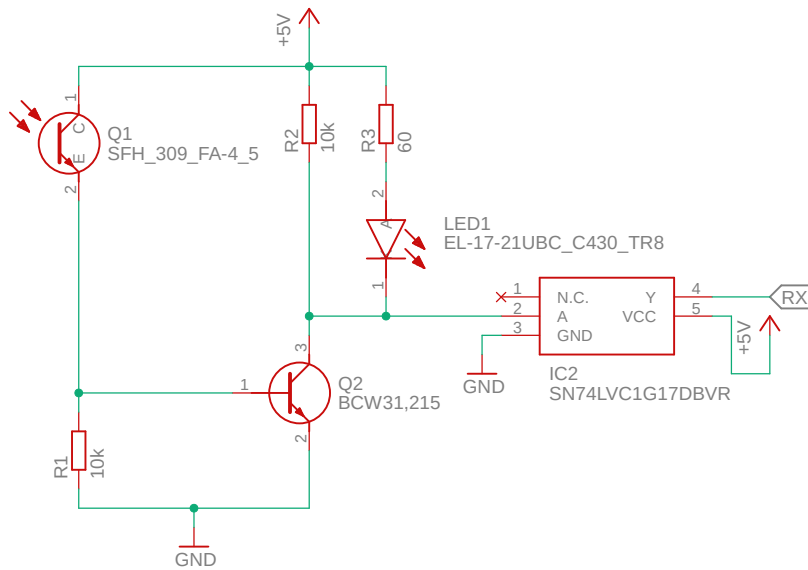


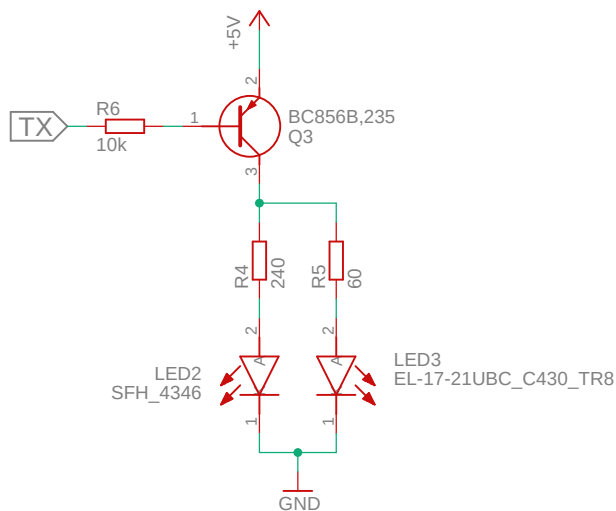
### Serial TTL-RS232 converter



### Receive data from the smart meter



### Transmit data to the smart meter



**Niklas Menke**

[www.niklas-menke.de](http://www.niklas-menke.de)

Smart meter

Optical interface final

12.10.2020 17:13

Sheet: 1/1